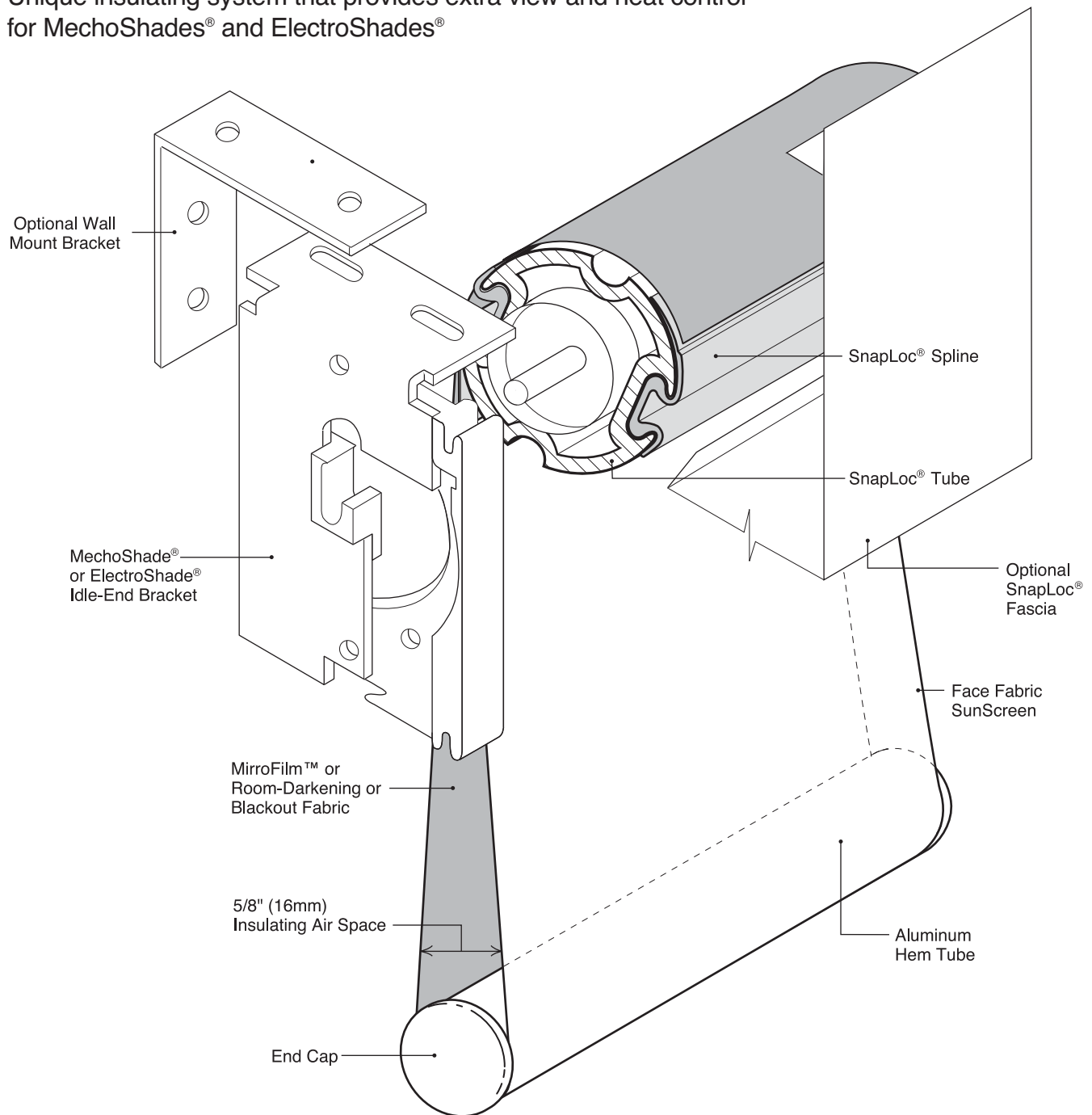


The DualShade® System

Unique insulating system that provides extra view and heat control for MechoShades® and ElectroShades®



DualShades® are flat roller shades with an insulated transparent lining – a technically advanced system for insulation, extra view with heat control. The ThermoVeil® or EuroVeil® sun screen is backed by a light dimming MirroFilm™ to further filter light and

heat while enhancing its see-through ability and roller screen functionality. Or can be backed by a blackout shade cloth for privacy and/or room-darkening.

MechoShade Systems, Inc.
42-03 35th Street, Long Island City, NY 11101
Telephone: 718-729-2020
Fax: 718-729-2941 / 800-899-8081

E-mail: info@mechoshade.com
Internet Web Site: www.mechoshade.com

9.01
MS2200-01/01/08



Fixed Shades – Framed

Fixed Shades are non-retracting shades that are custom fitted to the architectural details of the window. They can also be used as a creative attention getting corporate identity or advertising banners. Fixed shades can be made in a wide variety of custom shapes and mounting solutions. Some of the more popular fixed shade solutions are:

- **Frame Mounted Fixed Shades:**

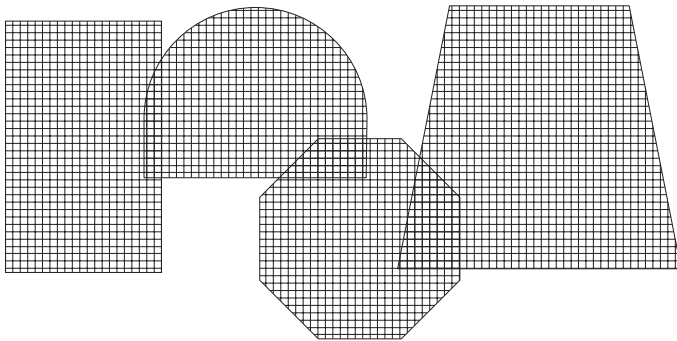
A shade cloth mounted in an aluminum frame with velcro strips on the back of the frame for mounting.

- **Wall or Ceiling Mounted Fixed Shades:**

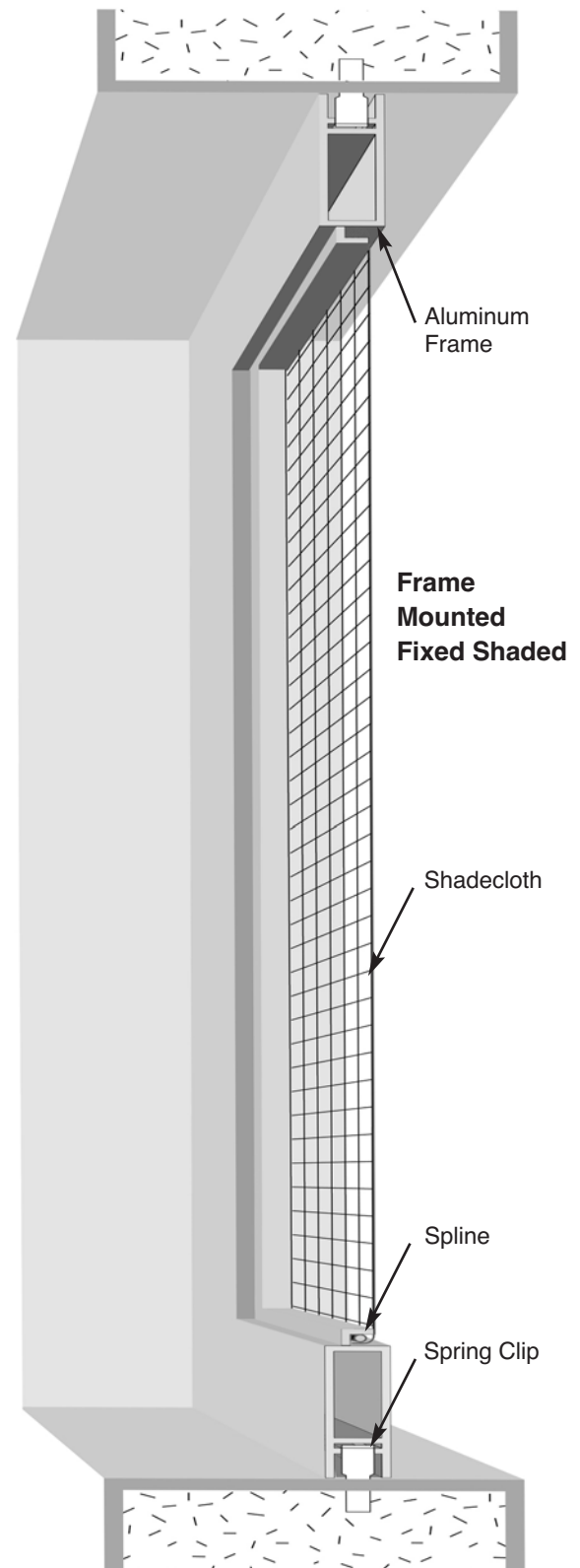
A finished shadeband, complete with SnapLoc® Spline and concealed hembar, is mounted to a SnapLoc “C” channel on the wall or ceiling. A fixed shade can also be hung from the ceiling by mounting the shadeband, complete with SnapLoc Spline and concealed hembar, on a SnapLoc tube which is then hung from the ceiling by cables.

- **Freeform Fixed Shades:**

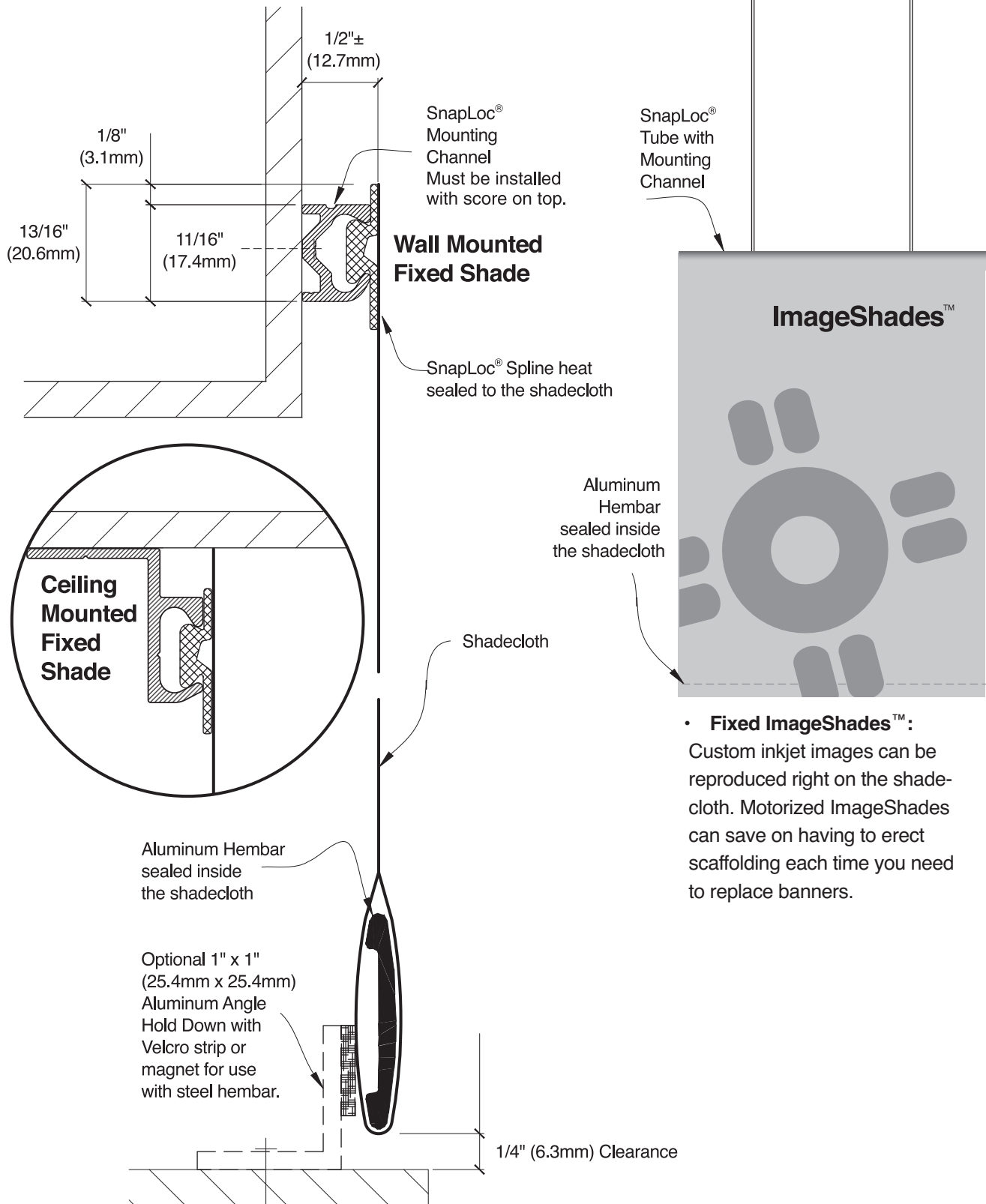
A Freeform Fixed shade is a loose sheet of shade cloth, trimmed to the size and shape of the window opening or glazing with velcro strips along the edges to mount the shade cloth. If you send us a .dxf file of any shape, at actual size, our computerized shade cutting system will cut it accurately.



Be sure to check with your MechoShade® technical support representative to assist you in determining the right solution to your fixed shade needs.



Fixed Shades – Free Hanging



MechoShade Systems, Inc.
42-03 35th Street, Long Island City, NY 11101
Telephone: 718-729-2020
Fax: 718-729-2941 / 800-899-8081

E-mail: info@mechoshade.com
Internet Web Site: <http://www.mechoshade.com>

604/2
REVISION
9.03
MS2200 - 01/01/08

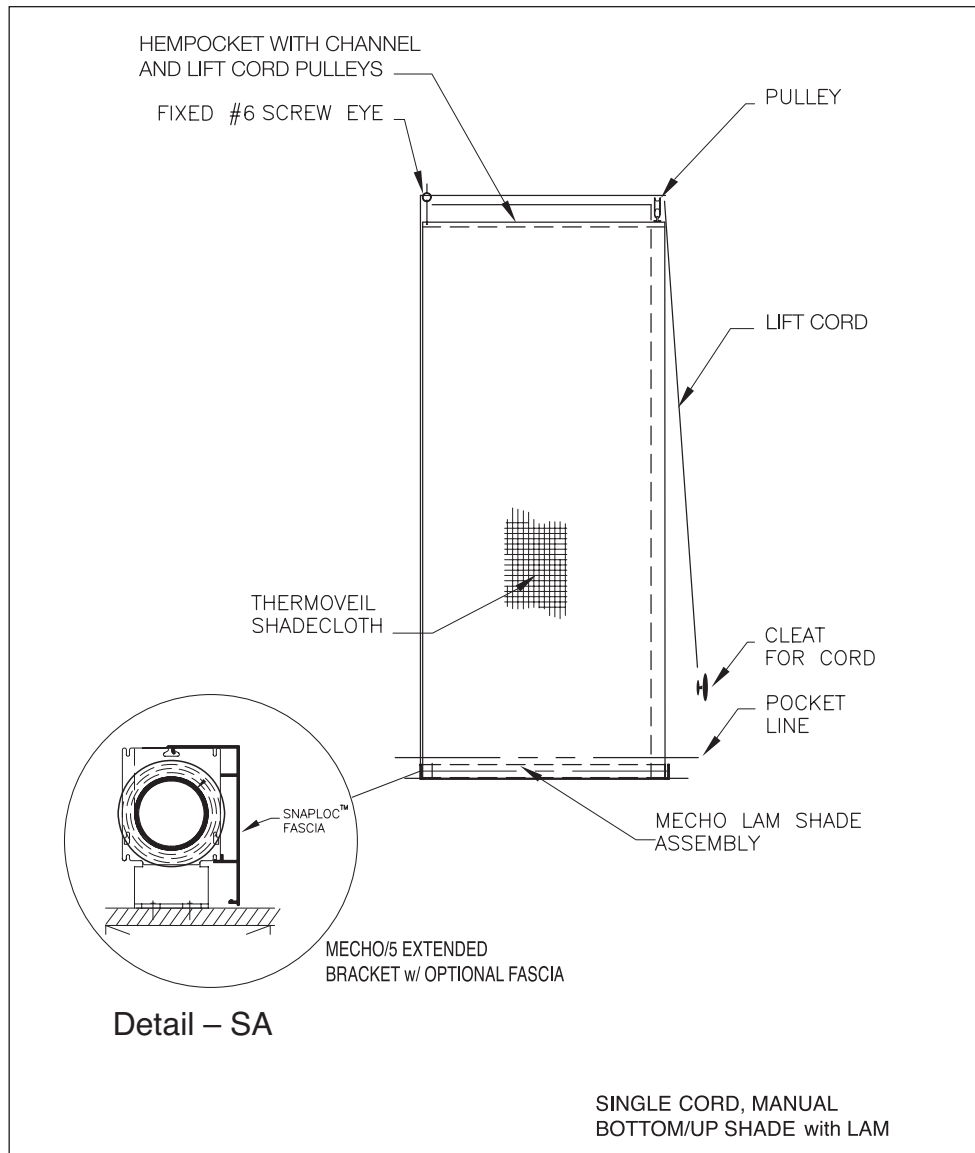


Bottom/Up Shade

Single Cord Manual Bottom/Up Shade:

Installed above the floor with extended SnapLoc™ Fascia and top mount pulley.

Note: All Fascia is optional and must be requested.



Continued 

MechoShade Systems, Inc.
42-03 35th Street, Long Island City, NY 11101
Telephone: 718-729-2020
Fax: 718-729-2941 / 800-899-8081

E-mail: info@mechoshade.com
Internet Web Site: <http://www.mechoshade.com>

9.04
MS2200 - 01/01/08



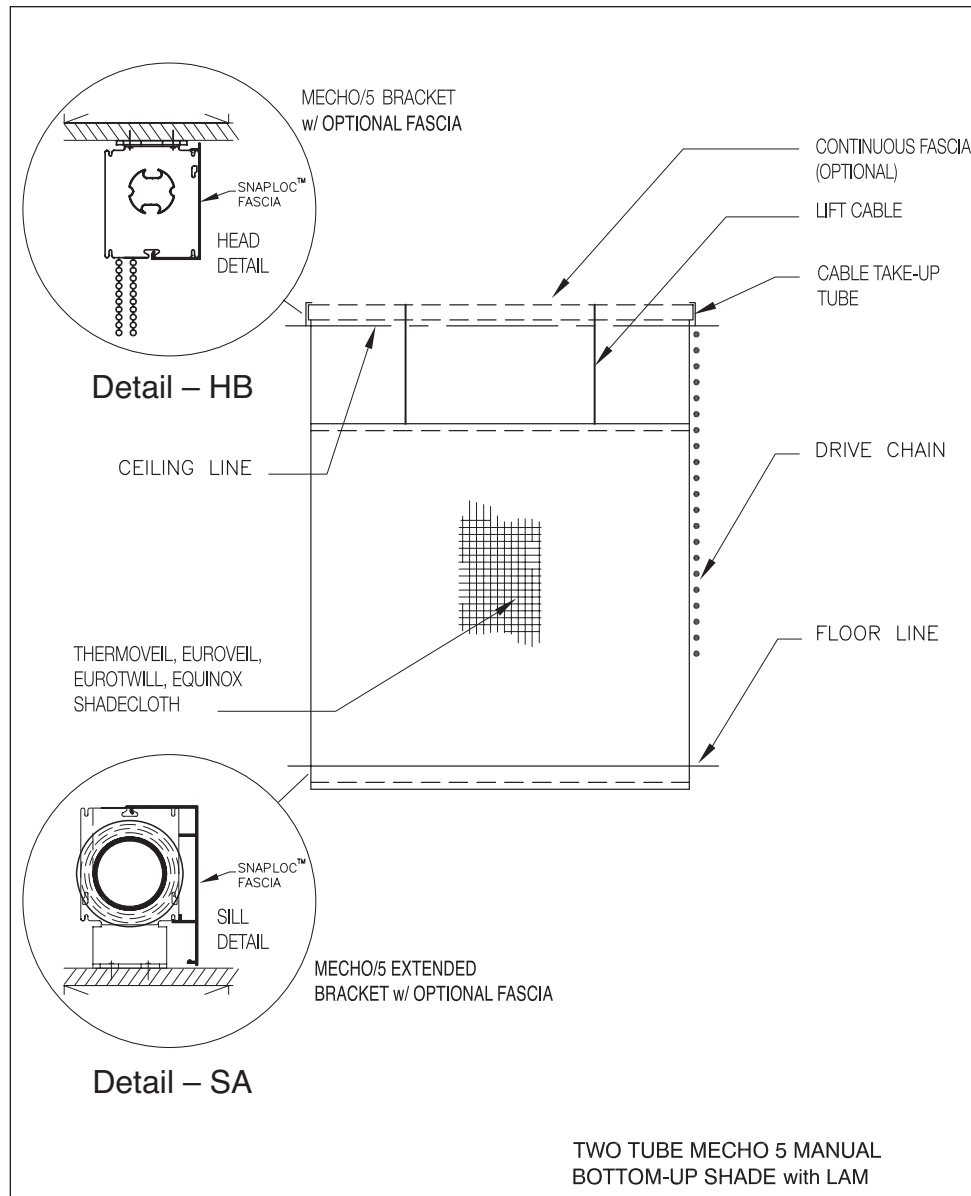
Bottom/Up Shade

Two Tube Mecho®/5 Manual Bottom/Up Shade:

Installed above the floor with SnapLoc™ Fascia.

Note: All Fascia is optional and must be requested.

Note: All sizes of the Mecho/5 Bracket – Wide, Pocket and Extended, can be used for Bottom/Up Shades. Shown below is the Mecho/5 Extended bracket.



Continued 

MechoShade Systems, Inc.
42-03 35th Street, Long Island City, NY 11101
Telephone: 718-729-2020
Fax: 718-729-2941 / 800-899-8081

E-mail: info@mechoshade.com
Internet Web Site: <http://www.mechoshade.com>

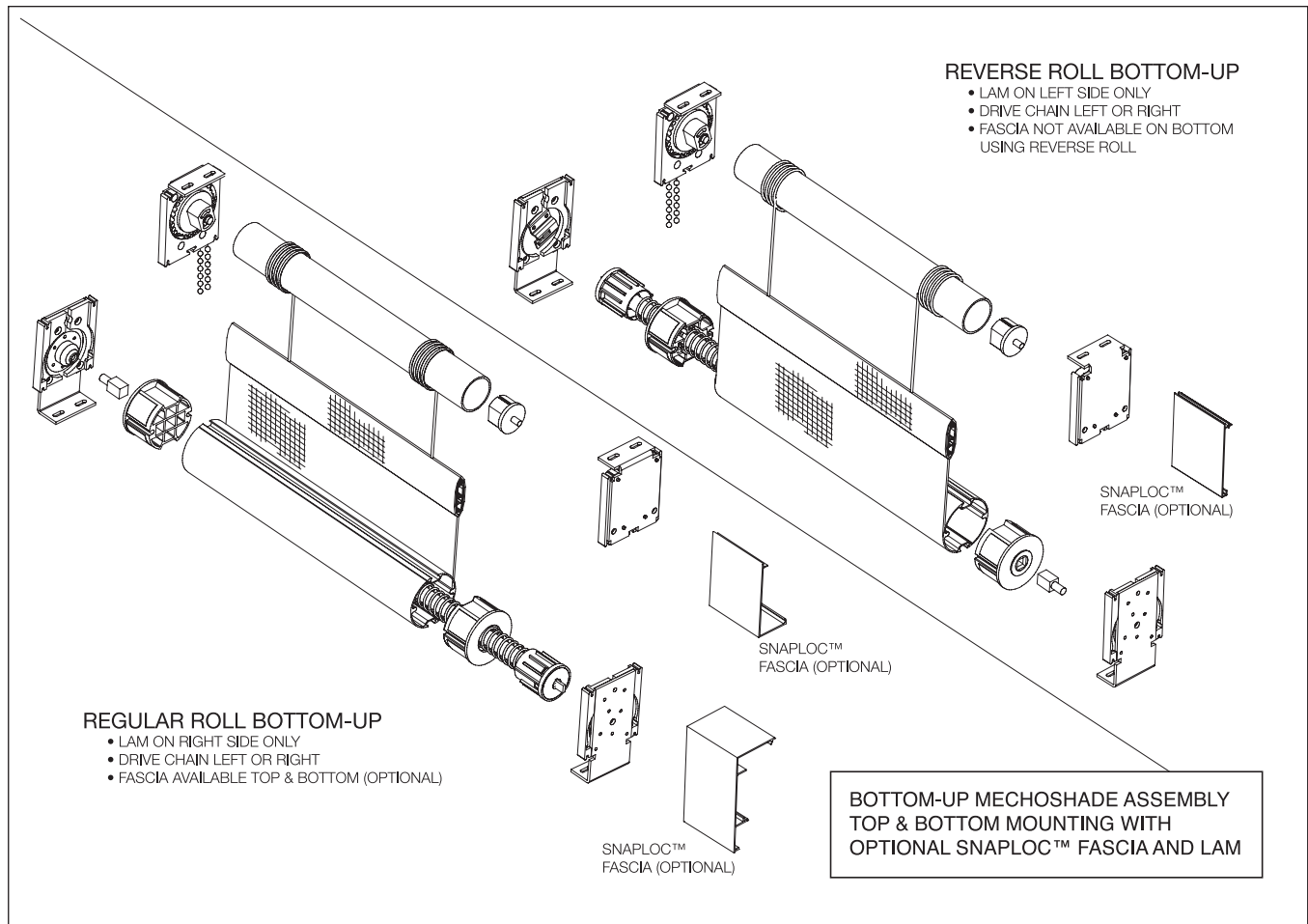
9.05
MS2200 - 01/01/08



Bottom/Up Shade

Bottom/Up MechoShade Assembly – Regular and Reverse Roll

Note: All sizes of the Mecho/5 Bracket – Wide, Pocket and Extended, can be used for Bottom/Up Shades. Shown below is the Mecho/5 Extended bracket.



Continued 

MechoShade Systems, Inc.
42-03 35th Street, Long Island City, NY 11101
Telephone: 718-729-2020
Fax: 718-729-2941 / 800-899-8081

E-mail: info@mechoshade.com
Internet Web Site: <http://www.mechoshade.com>

9.06
MS2200 - 01/01/08



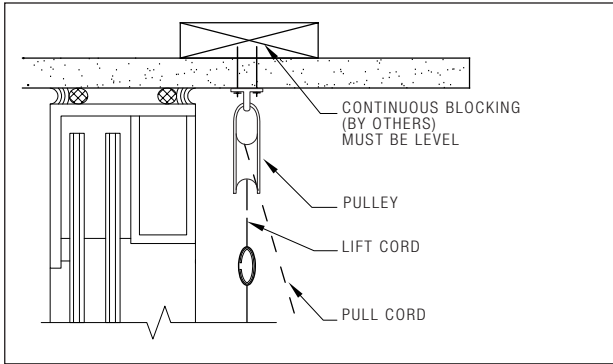
Bottom/Up Shade

Single Cord Manual Bottom/Up Shade:

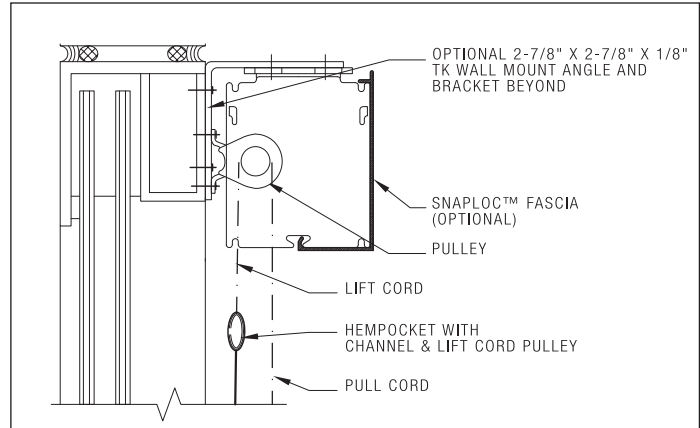
Installed above the floor with extended SnapLoc™ Fascia and top mount pulley.

Note: All Fascia is optional and must be requested.

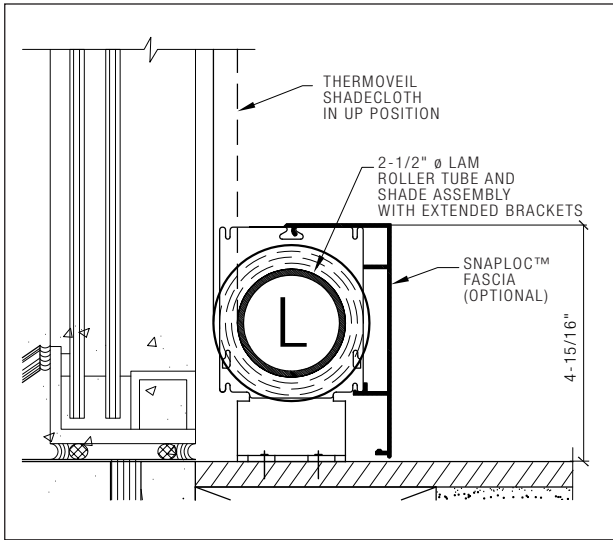
TOP / HEAD



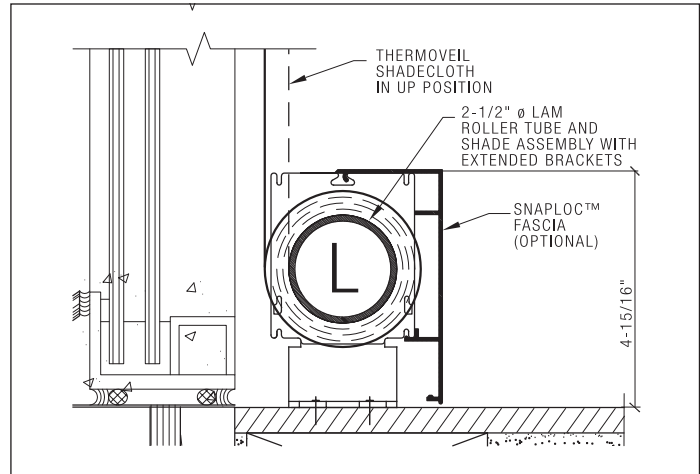
Detail HA = Head/Pulley



Detail HA/1 = Head/Pulley/SnapLoc™ Fascia (Optional)



Detail SAL = Sill/LAM™/SnapLoc™ Fascia (Optional)



Detail SAL = Sill/LAM™/SnapLoc™ Fascia (Optional)

BOTTOM / SILL

Continued 

MechoShade Systems, Inc.
 42-03 35th Street, Long Island City, NY 11101
 Telephone: 718-729-2020
 Fax: 718-729-2941 / 800-899-8081

E-mail: info@mechoshade.com
 Internet Web Site: <http://www.mechoshade.com>

9.07
MS2200-01/01/08



Bottom/Up Shade

Single Cord Manual Bottom/Up Shade:

Installed below the sill with optional closure mount and top mount pulley.

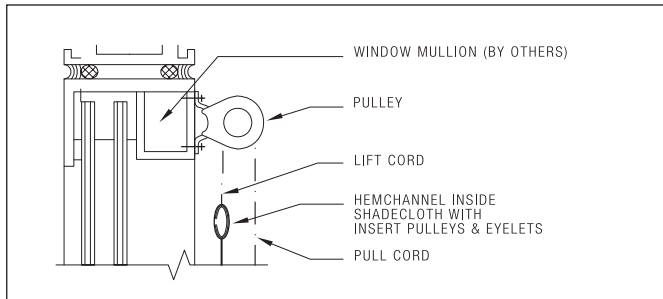
Note: All Fascia is optional and must be requested.

2-Tube Mecho[®]/5 Manual Bottom/Up Shade

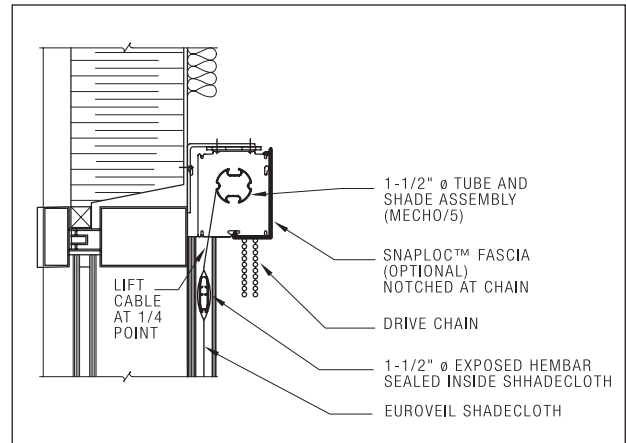
Installed above the floor with SnapLoc[™] Fascia at the top and bottom.

Note: All Fascia is optional and must be requested.

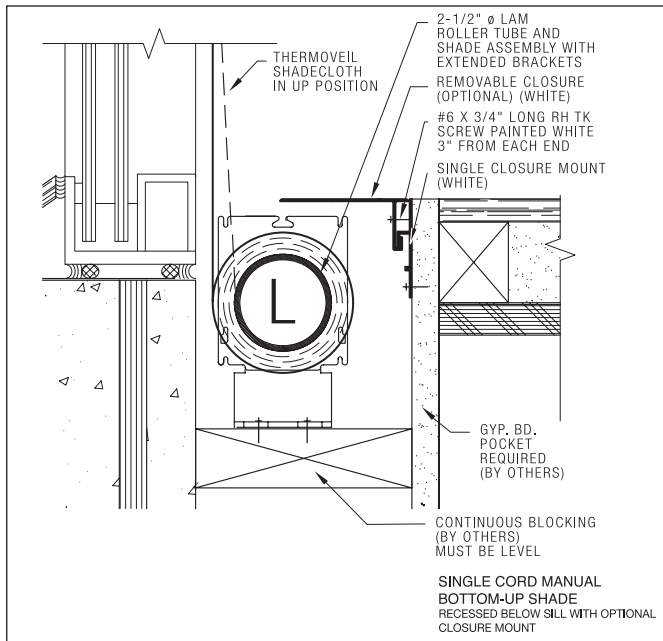
TOP / HEAD



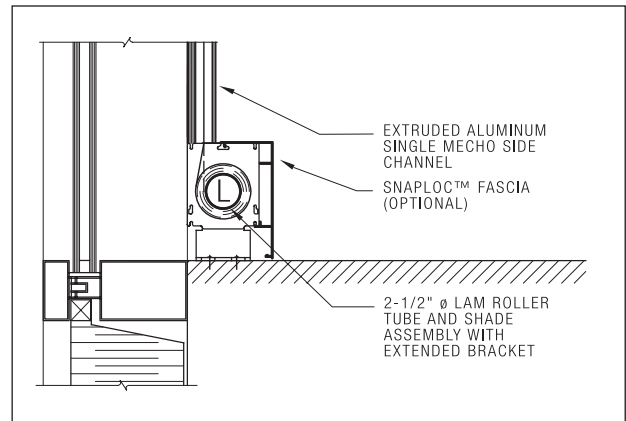
Detail HA = Head/Pulley



Detail HB = Head/Bracket/SnapLoc[™] Fascia (Optional)



Detail SPL = Sill/Pocket/LAM[™]



Detail SAL = Sill/LAM[™]/SnapLoc[™] Fascia (Optional)

BOTTOM / SILL

Continued

MechoShade Systems, Inc.
42-03 35th Street, Long Island City, NY 11101
Telephone: 718-729-2020
Fax: 718-729-2941 / 800-899-8081

E-mail: info@mechoshade.com
Internet Web Site: <http://www.mechoshade.com>

9.08
MS2200 - 01/01/08



Bottom/Up Shade

Motor + LAM™ Bottom/Up Shade:

Single motor tube and LAM™ spring tube mounted on a bottom mounted double bracket with SnapLoc™ Fascia and top mount pulley.

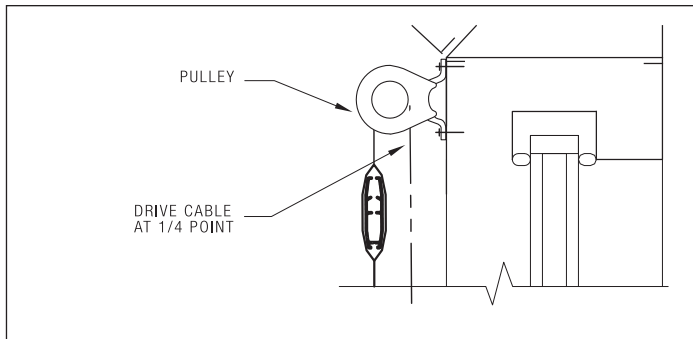
Note: All Fascia is optional and must be requested.

Motor + LAM™ Bottom/Up Shade:

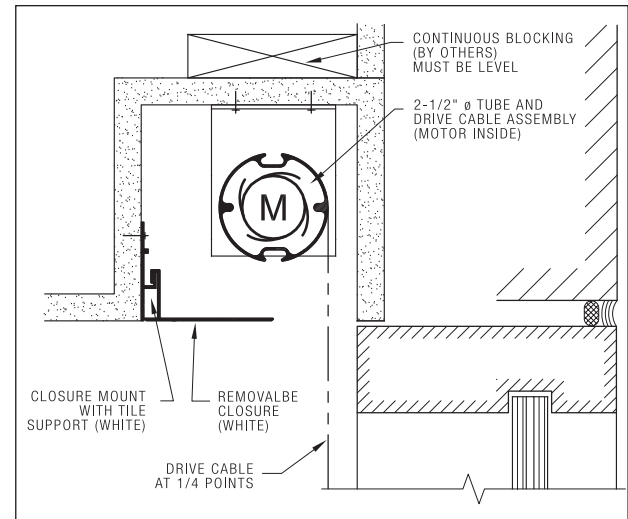
Single motor tube recessed in ceiling pocket with optional closure mount and LAM spring tube bottom mounted with SnapLoc™ Fascia.

Note: All Fascia is optional and must be requested.

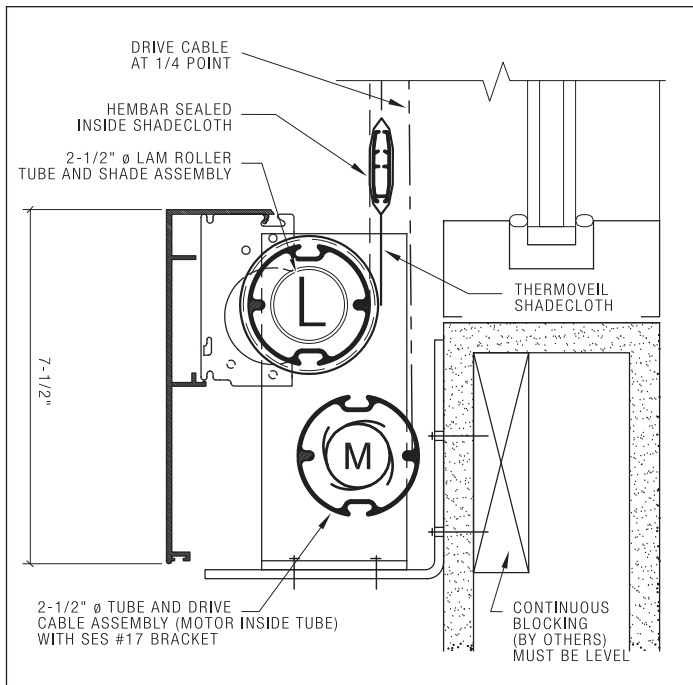
TOP / HEAD



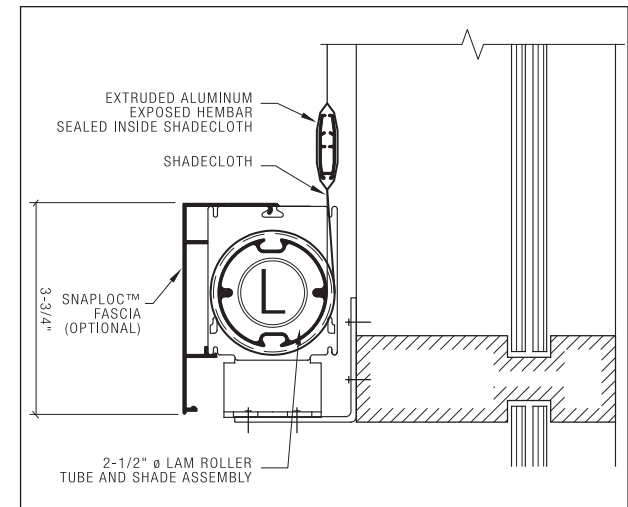
Detail HA = Head/Pulley



Detail HPM = Head/Pocket/Motor



Detail SML = Sill/Motor/LAM



Detail SAL = Sill/LAM™/SnapLoc™ Fascia (Optional)

BOTTOM / SILL

Continued

MechoShade Systems, Inc.
42-03 35th Street, Long Island City, NY 11101
Telephone: 718-729-2020
Fax: 718-729-2941 / 800-899-8081

E-mail: info@mechoshade.com
Internet Web Site: <http://www.mechoshade.com>

9.09
MS2200 - 01/01/08



Bottom/Up Shade

Electro Double Motor Bottom/Up Shade:

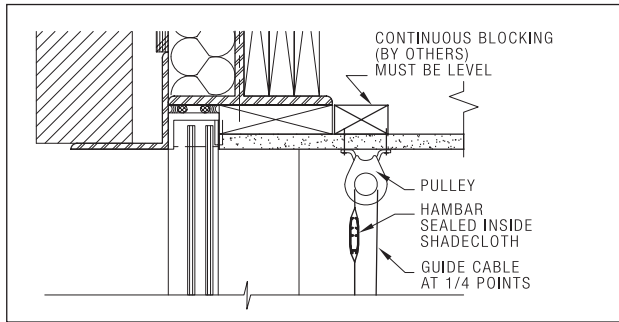
Two motor tubes mounted on a double bracket with SnapLoc™ Fascia and top mount pulley.

Note: All Fascia is optional and must be requested.

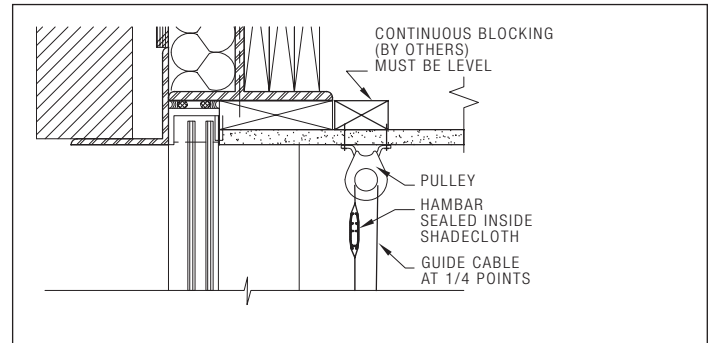
Electro Double Motor Bottom/Up Shade:

Two motor tubes mounted on a double bracket recessed in bottom pocket with optional closure mount and top mount pulley in ceiling pocket.

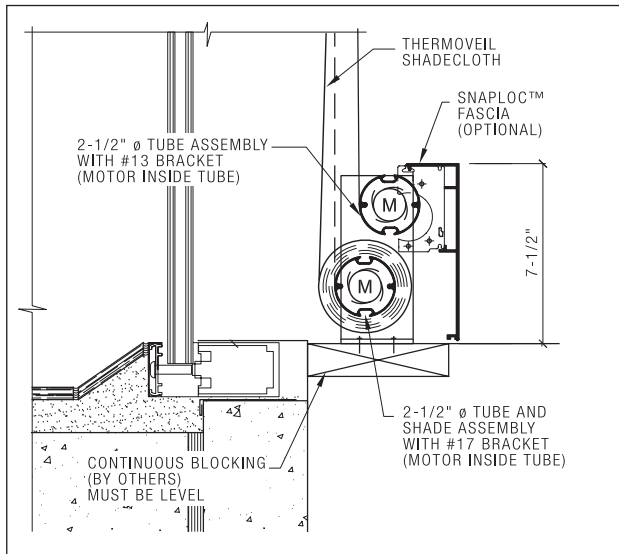
TOP / HEAD



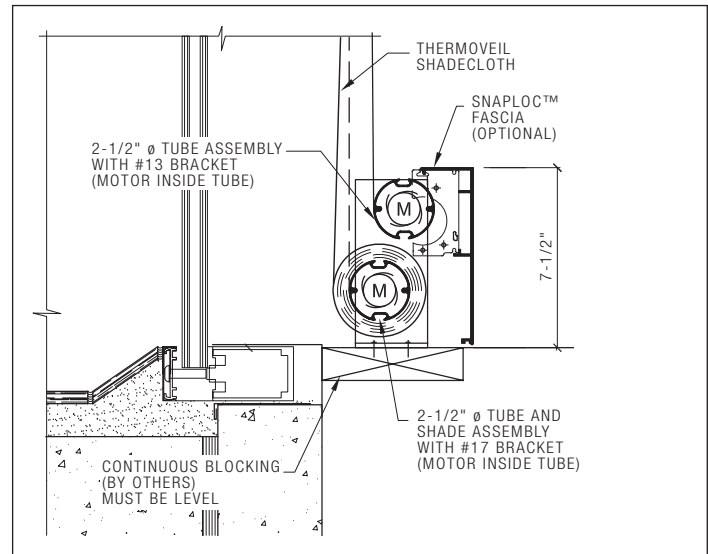
Detail HA = Head /Pulley



Detail HP = Head/Pulley/Pocket



Detail SMM = Sill/Motor/Motor



Detail SMMP = Sill/Motor/Motor/Pocket

BOTTOM / SILL

Continued

MechoShade Systems, Inc.
 42-03 35th Street, Long Island City, NY 11101
 Telephone: 718-729-2020
 Fax: 718-729-2941 / 800-899-8081

E-mail: info@mechoshade.com
 Internet Web Site: <http://www.mechoshade.com>

9.10
MS2200 - 01/01/08



Bottom/Up Shade

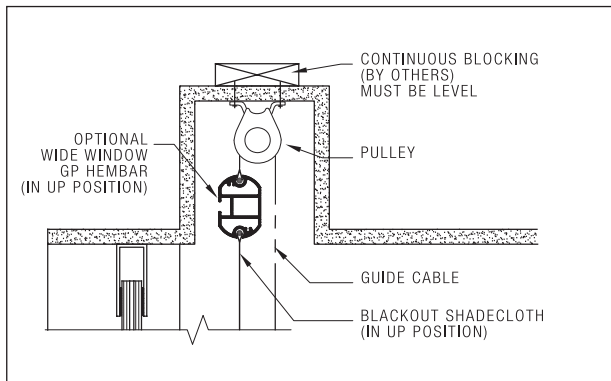
Electro Double Motor Bottom/Up Shade:

Two motor tubes mounted on double bracket recessed in bottom pocket with optional closure mount and top mount pulley.

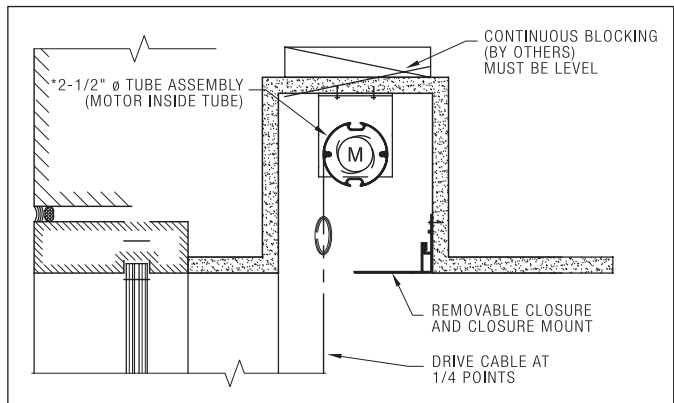
Double Motor Bottom/Up Shade

Single motor tubes recessed in ceiling and sill pockets with optional closure mounts.

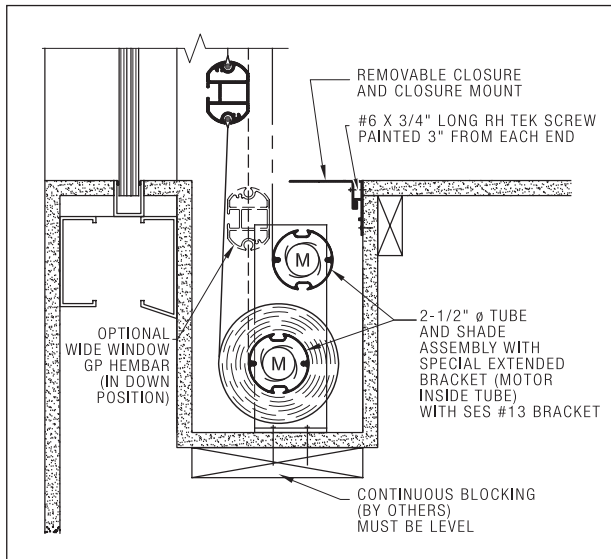
TOP / HEAD



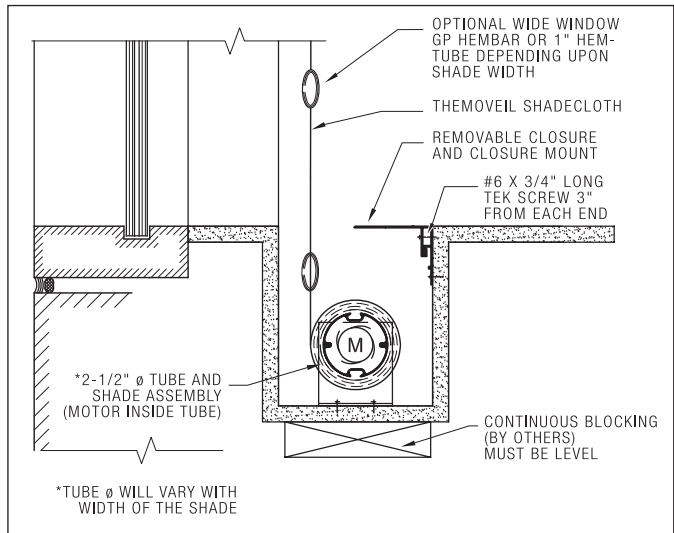
Detail HP = Head/Pulley/Pocket



Detail HMP = Head/Motor/Pocket



Detail SMMP = Sill/Motor/Motor/Pocket



Detail SMP = Sill/Motor/Pocket

BOTTOM / SILL

Continued

MechoShade Systems, Inc.
42-03 35th Street, Long Island City, NY 11101
Telephone: 718-729-2020
Fax: 718-729-2941 / 800-899-8081

E-mail: info@mechoshade.com
Internet Web Site: <http://www.mechoshade.com>

9.11
MS2200-01/01/08



Bottom/Up Shade

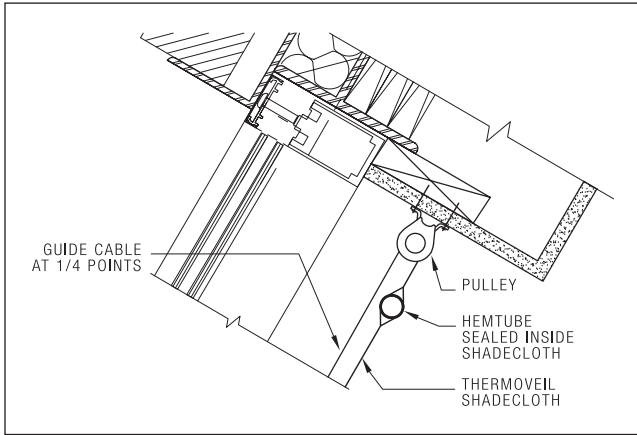
Double Motor/LAM™ Bottom/Up Shade:

Two motor tubes and two LAM™ spring tubes mounted side-by-side on double brackets recessed in bottom pocket with optional closure mount and pulley at the top.

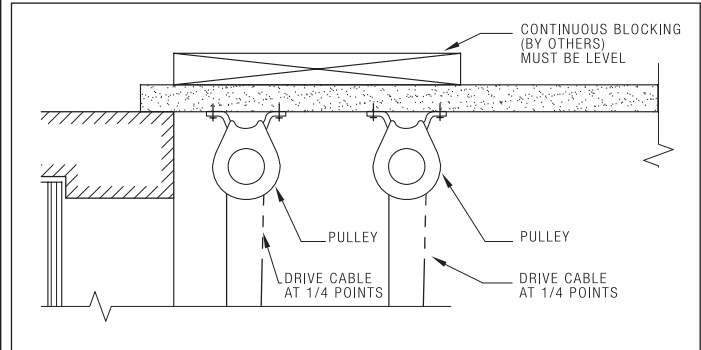
Electro Bottom/Up Shade Double Motor

Sloped bottom/up shade. Two motor tubes at bottom side-by-side floor mount and top mount pulleys.

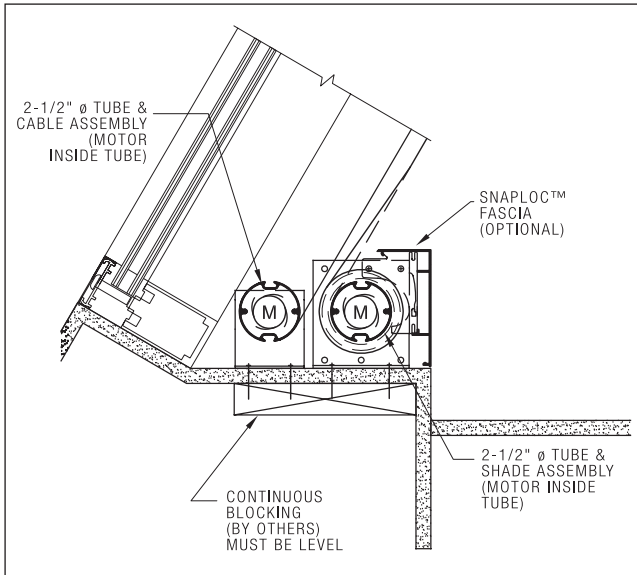
TOP / HEAD



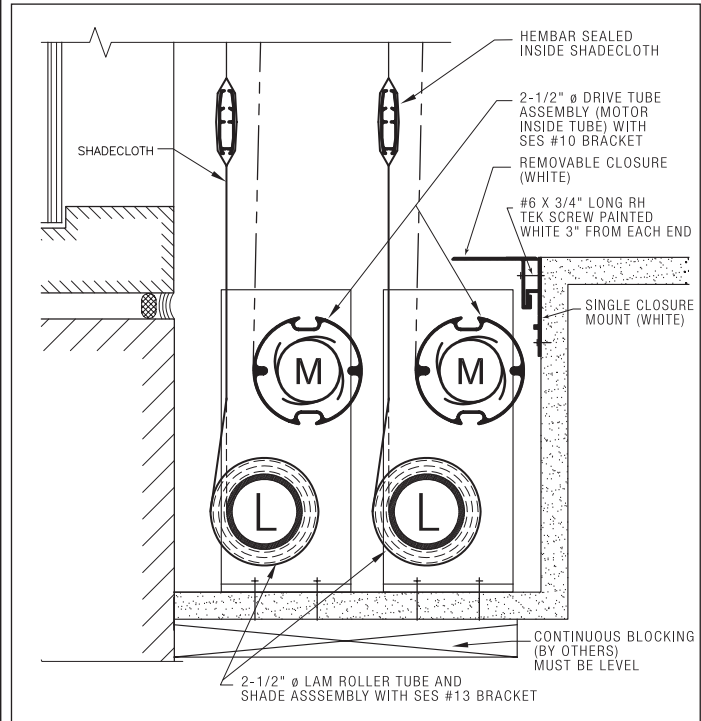
Detail HA = Head/Pulley



Detail HA/2 = Head/Pulley/2



Detail SMM = Sill/Motor/Motor



Detail SMLP/2 = Sill/Motor/LAM™/2

BOTTOM / SILL

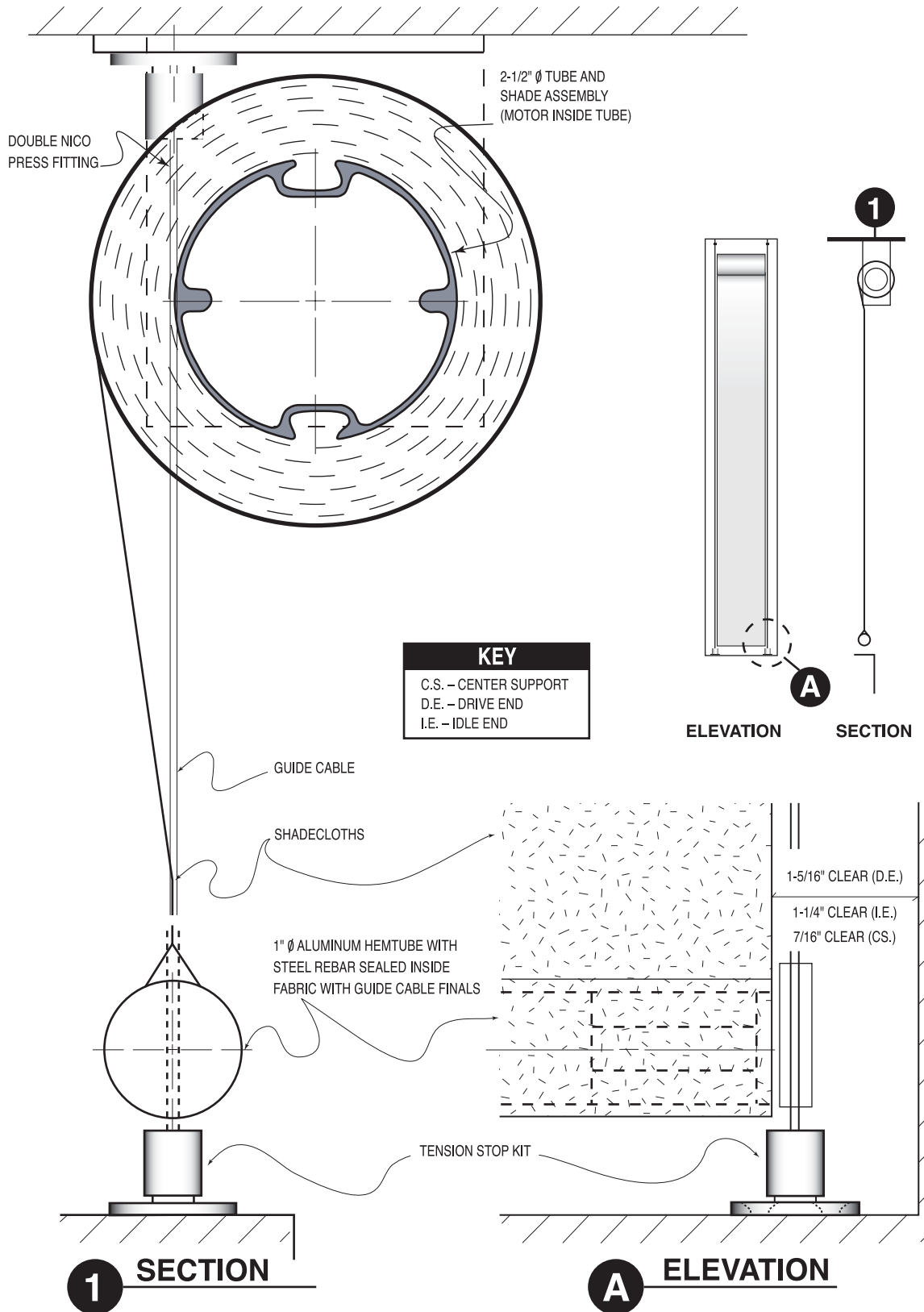
MechoShade Systems, Inc.
 42-03 35th Street, Long Island City, NY 11101
 Telephone: 718-729-2020
 Fax: 718-729-2941 / 800-899-8081

E-mail: info@mechoshade.com
 Internet Web Site: <http://www.mechoshade.com>

9.12
 MS200-01/01/08



Guide Cable Standard Bracket Shade



MechoShade Systems, Inc.
 42-03 35th Street, Long Island City, NY 11101
 Telephone: 718-729-2020
 Fax: 718-729-2941 / 800-899-8081

E-mail: info@mechoshade.com
 Internet Web Site: <http://www.mechoshade.com>

604/2
REVISION
9.13
 MS2200 - 01/01/08

