

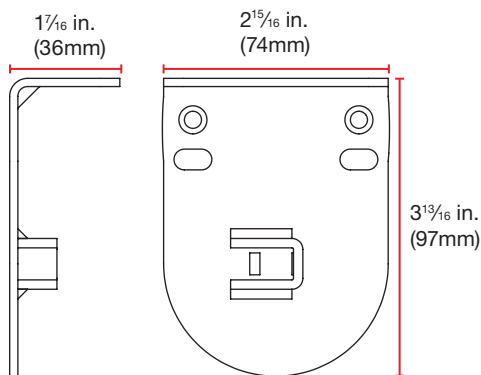
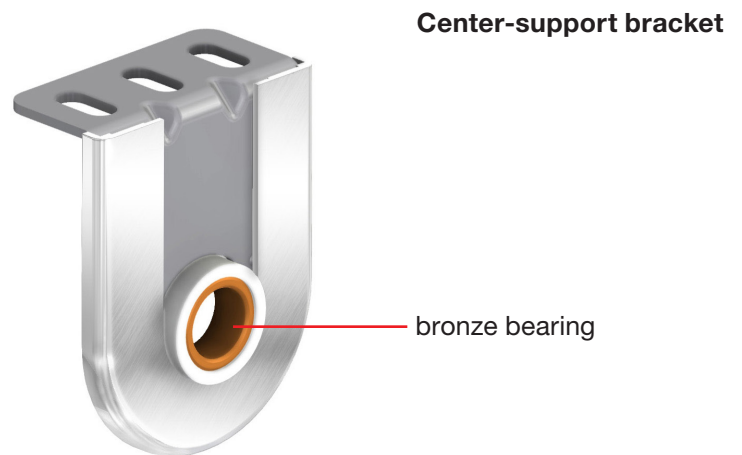
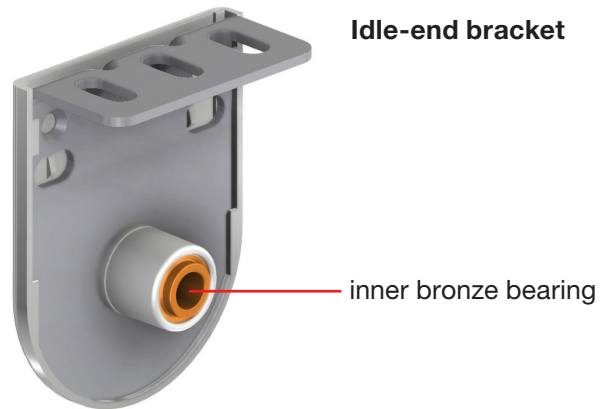
# Electro<sup>®</sup>/1 Bracket

The new design of the Electro/1 bracket is more functional and has an aesthetically pleasing profile.

The idle-end bearing (see top diagram, right) on the Electro/1 bracket has been upgraded. An inner-bronze, oil-impregnated, and self-aligning bearing reduces friction for quieter operation. Future maintenance is also minimized as a result of this upgrade.

## The ElectroShade<sup>®</sup> System

- Is ideal for conference rooms, public spaces, high-bay windows, and areas where accessibility is difficult.
- Maintains a uniform appearance on a building's facade when used with control systems.
- Reduces energy consumption and maximizes daylighting when included in the SolarTrac<sup>®</sup> or SunDialer<sup>®</sup> Systems.
- End caps are available in white, black, grey, and metallic.
- Can be operated with a variety of standard (and optional) control systems.



MechoSystems  
Corporate Headquarters  
42-03 35th Street  
Long Island City, NY 11101

T: +1 (718) 729-2020  
F: +1 (718) 729-2941  
E: info@mechosystems.com  
W: mechosystems.com